



Bigleaf Router Installation Guide

# Premier Setup

## Let's get started

When setting up the Bigleaf routers, the steps you take depend on how your Internet Service Provider (ISP) hands off IP addresses and whether you provided WAN circuit settings to Bigleaf during the order process. You received a link to a **Configuration Details** card with your Shipment Confirmation email from Bigleaf. Refer to this card to help determine your setup path:

- If your ISP uses dynamically assigned IP addresses (DHCP), you will not need to configure WAN ports. Your Configuration Details card shows that your WAN ports are using DHCP.
- If your ISP uses static IP addresses and you provided those IP address details when ordering your Bigleaf service, your Configuration Details card specifies which of your Bigleaf router WAN ports have already been configured with your ISP's static IP details. No other configuration is needed.
- If your ISP uses static IP addresses and you did not provide those IP address details when ordering your Bigleaf service (those details are not shown on your Configuration Details card), you'll need to configure the WAN ports to use those static IP addresses. You'll add IP address information in the Bigleaf Web Dashboard and on the routers as well.

## We're here to help

If you have any trouble connecting or you think there may be a problem with your Bigleaf service, please call us so we can help you immediately.

Tech Support: (888) 244-3133

General questions, helpful information, and Chat Support: [Bigleaf Help Center](#)

Email: [Support@bigleaf.net](mailto:Support@bigleaf.net)

## Step 1 – Prepare for setup

### Have the Bingleaf Shipment Confirmation email available

You received a Shipment Confirmation email from Bingleaf that includes the information needed for setting up your Bingleaf routers, specifically the Configuration Details card. Have this information close by when connecting your routers.

### Gather network cables

Gather the needed number of network cables to connect from the Bingleaf routers to each ISP modem or router, from router to router, and also to your firewall(s) or router(s). You will need 2 or 3 cables per WAN connection, depending on your specific setup, and 1 for each firewall.

### Plan your power source

The Bingleaf routers should be connected to an Uninterruptible Power Supply (UPS).

### Verify access to your firewall

Verify that you have access to edit your firewall configuration. You will update firewall settings with your new Bingleaf IP addresses after the Bingleaf router is connected.

## Step 2 – Consider IP-related changes

### DNS Records

Do you have DNS records pointing at your existing ISP IP addresses? If so, you will need to update those to your new Bingleaf IP addresses during the router install.

#### To-Do:

A day or two before the install, lower the TTL for those records to a small value like 10 minutes (600 seconds) to ensure a quick transition.

### Mail Server

Are you hosting a mail server on-site? If so, Bingleaf will need to set up a reverse-DNS PTR record for the server. To set this up, email [Support](#) with:

- The Bingleaf IP address that you will use for your mail server
- The full hostname of the mail server

### VPNs

Do you have any VPNs, or other network resources that are statically configured with WAN IP addresses? If so, you will update these after the Bingleaf router is connected.

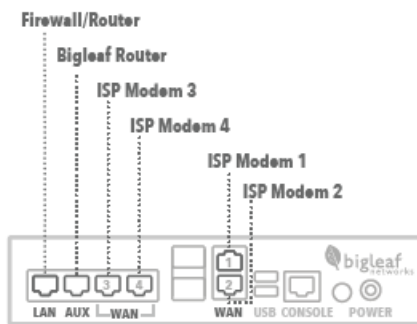
## Step 3 – Get to know the Bigleaf routers

This overview shows the general connection topology for the Bigleaf router models BLR-108 and BLR-112 routers with and without an expansion card installed.

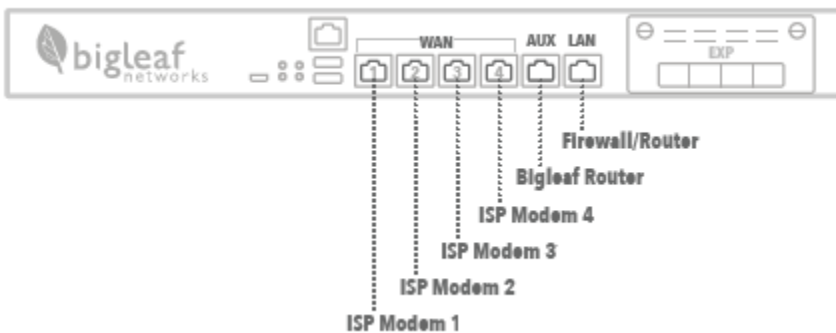
### The Bigleaf router

Each port on a Bigleaf router is designated for a specific device, as displayed in the illustrations below.

#### BLR-108 router



#### BLR-112 router



BLR-112 router with an expansion card



## Step 4 – Configure the WAN ports for the Bigleaf routers if needed

**Important:** This step is needed only if you are using static IP addresses and you did not provide your WAN circuit details for your internet connection(s) to Bigleaf during the order process. Routers are shipped using DHCP by default, so the WAN circuit settings need to be updated to use your static IP addresses.

If you're unsure whether the information was sent to Bigleaf, check the Router Configuration details card that you received with the Shipment Confirmation email. If your Configuration Details card specifies that at least one of your WAN ports has already been configured with your ISP's circuit details, you can skip this step.

### Add WAN circuit information in the Bigleaf Web Dashboard

1. Log in to the [Bigleaf Web Dashboard](#) with **Super Admin** credentials. If you're not sure who has these credentials at your site, contact Bigleaf Support at (888) 244-3133 or via the [Bigleaf Help Center](#).
2. Select the **Configuration** tab for the site you want to add a WAN circuit, and then select **Edit**.
3. Scroll down to the **Circuits** settings.
4. For new circuits, select **New Circuit** and enter the information for your circuit.
5. When you're finished entering circuit information, select **Save**.

For more details about how to add or edit WAN circuit information, see this [Help Center article](#).

## Update the WAN ports on the Bigleaf router

Update the router ports to match the information you entered in the Bigleaf Web Dashboard **before connecting the routers**. Do these steps on each Bigleaf router.

1. Connect a laptop into the LAN port of the Bigleaf router. There is a LAN-side only network 198.19.8.0/23 with the IP address 198.19.8.1 assigned to the router LAN bridge. Assign your laptop to use an IP address from this network, with the subnet mask 255.255.252.0.
2. On the laptop, open a web browser and browse to **http://198.19.8.1**
3. Enter **admin** for the username, and **admin** for the password.
4. The Router Configuration page lists ports with their associated IP configuration.
5. Configure the WAN port settings the same as you did in the Bigleaf Web Dashboard above.
6. When finished making changes, select **Apply Networking Changes** and then select **Submit**.

## Step 5 – Connect the Bigleaf routers

Follow these steps to connect your Bigleaf routers. Connection steps are shown for Bigleaf router models BLR-108 and BLR-112 (with and without an expansion card installed).

Note: Details about which specific port to use with each router is contained in the Configuration Details card you received from Bigleaf.

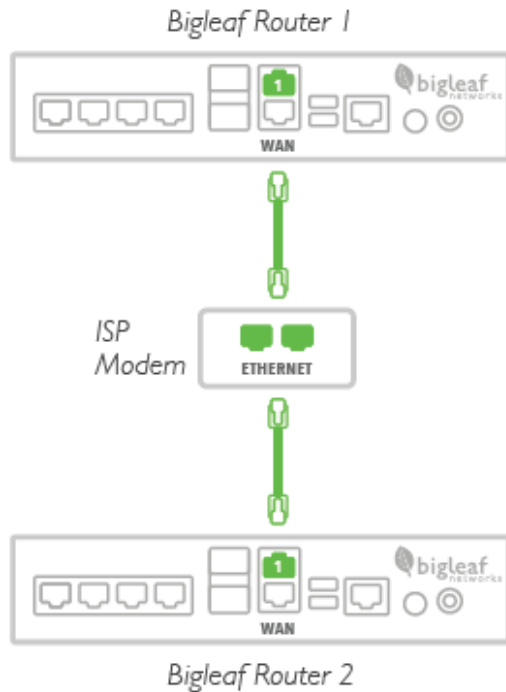
High Availability BLR-108 and BLR-112

High Availability BLR-112 with expansion card

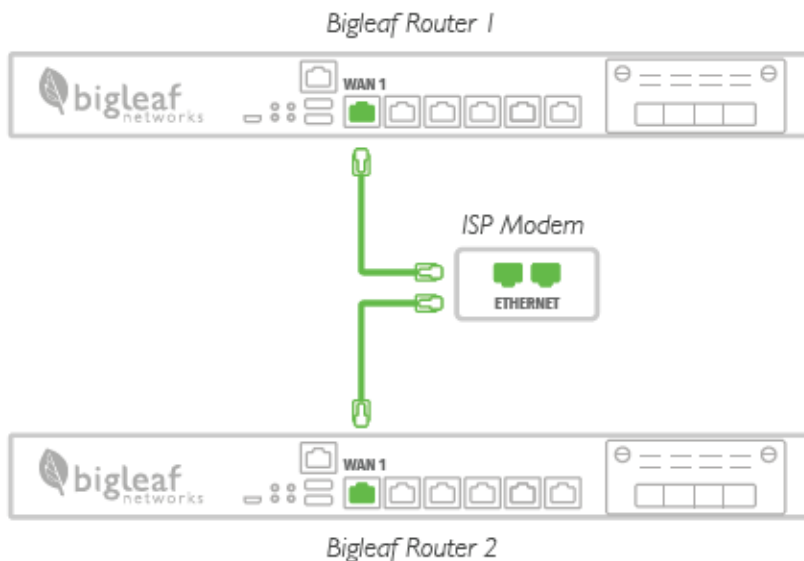
## High Availability BLR-108 and BLR-112

1. Plug each ISP circuit into the correct WAN port on Bigleaf Router 1, as detailed in your Configuration Details card you received from Bigleaf.
2. Plug each ISP circuit into the correct WAN port on Bigleaf Router 2.

### BLR-108 connection example

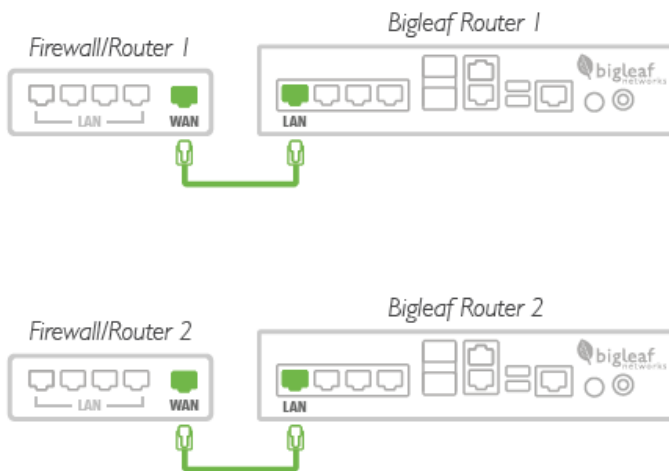


### BLR-112 connection example

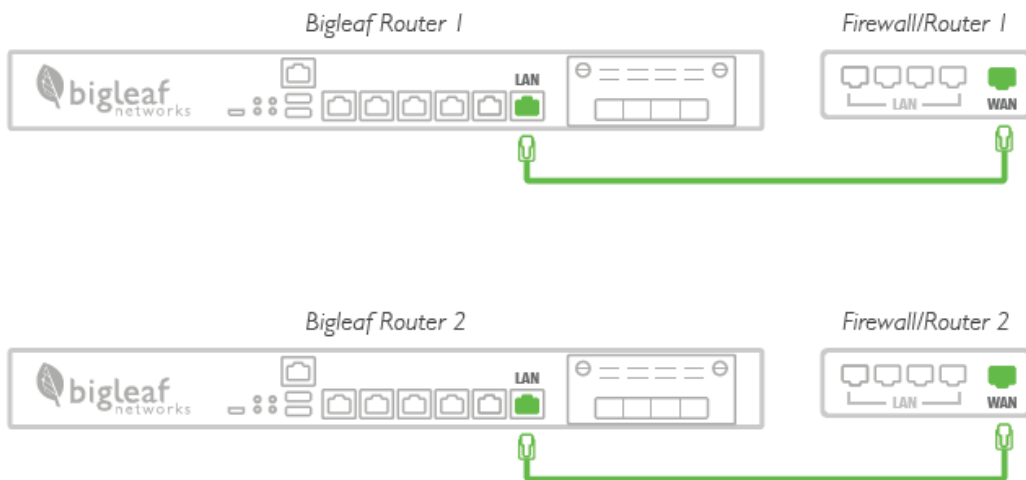


3. To connect the firewalls to the Bigleaf routers, connect the LAN port on Bigleaf Router 1 to the WAN port on Firewall/Router 1. Then connect the LAN port on Bigleaf Router 2 to the WAN port on Firewall/Router 2.

### BLR-108 connection example



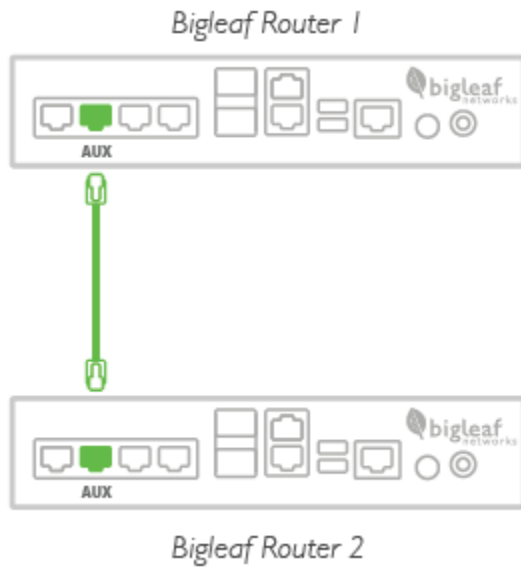
### BLR-112 connection example



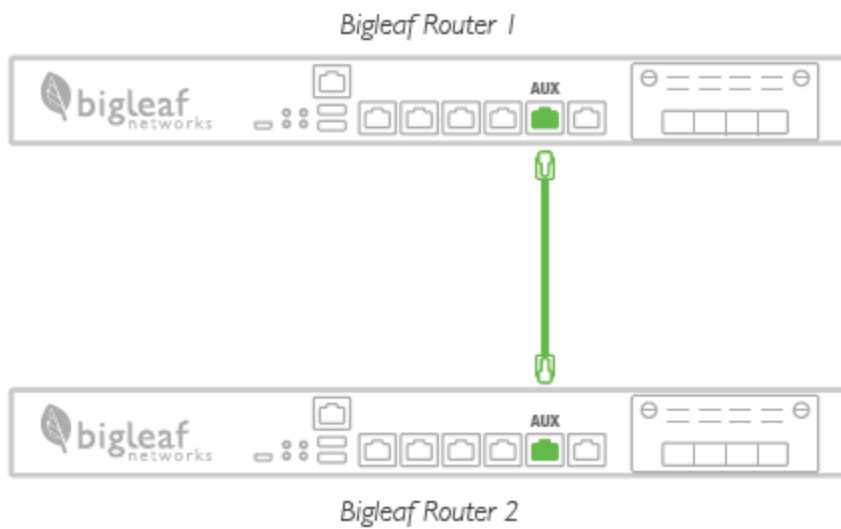


4. To connect the Bigleaf routers together, connect the AUX port on Bigleaf Router 1 to the AUX port on Bigleaf Router 2.

#### BLR-108 connection example



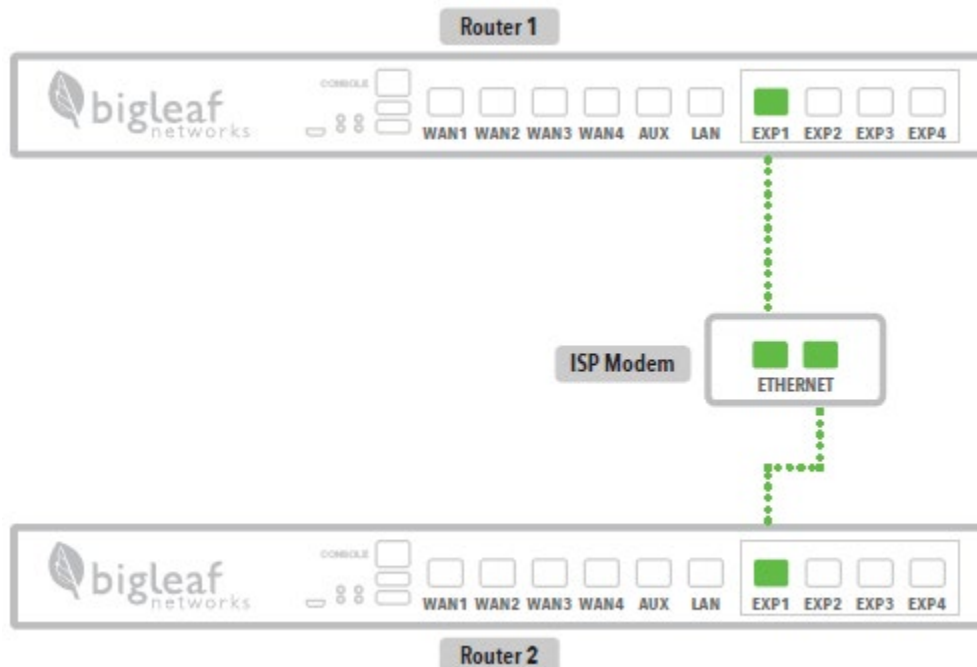
#### BLR-112 connection example



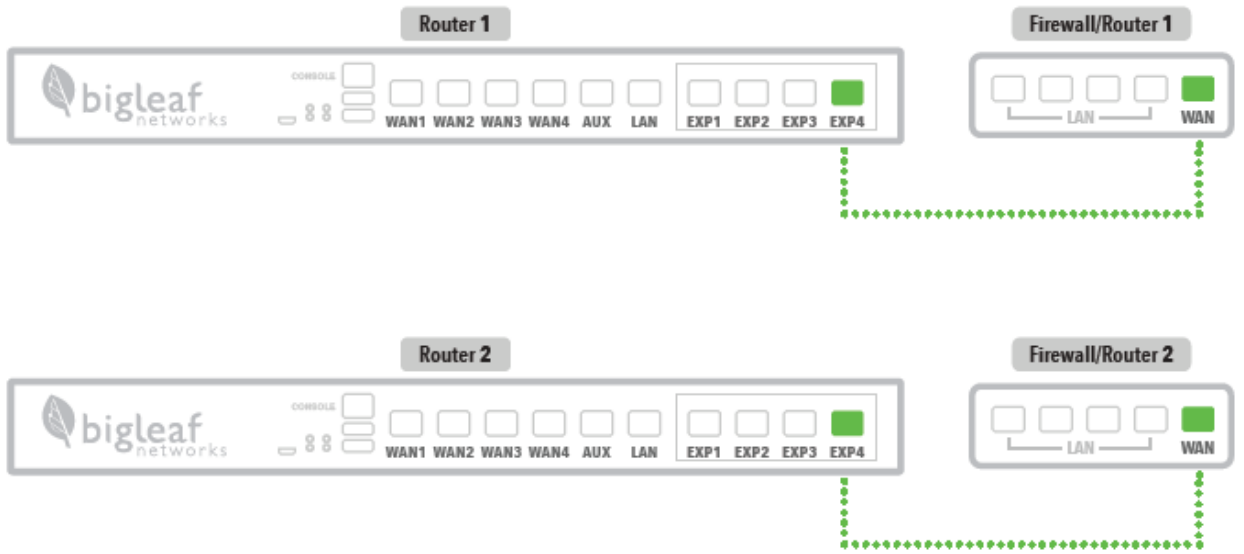
For next steps, go to [Step 6 – Connect the routers to a power source.](#)

## High Availability BLR-112 with expansion card

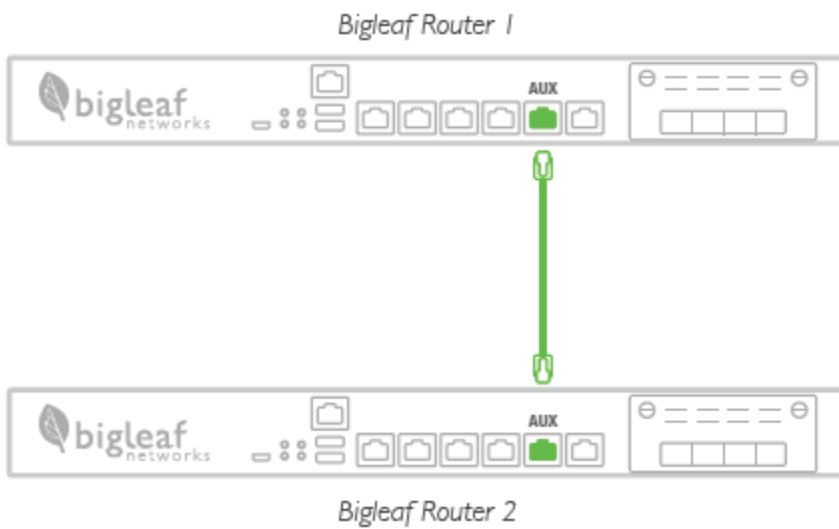
1. To connect the ISP modems to the Bigleaf routers, plug each ISP circuit into the correct WAN or EXP port on Bigleaf Router 1, as detailed in your Configuration Details card you received from Bigleaf.  
Then, plug each ISP circuit into the correct WAN or EXP port on Bigleaf Router 2, as detailed in your Configuration Details card you received from Bigleaf.



2. To connect the firewalls to the Bigleaf routers, connect the LAN port on Bigleaf Router 1 to the WAN or EXP port on Firewall/Router 1.  
Then connect the LAN port on Bigleaf Router 2 to the WAN or EXP port on Firewall/Router 2.



3. To connect the routers together, connect the AUX port on Bigleaf Router 1 to the AUX port on Bigleaf Router 2.



## Step 6 – Connect the routers to a power source

Using the ports on the back of the devices, connect the Bigleaf routers to a power source. To keep redundancy, we recommend using two separate power sources with UPS protection.

**Note:** The BLR-108 router ships with a [rack mount kit](#) if you want to add the router to a rack.

## Step 7 – Configure the firewall or router

To connect your network to the Bigleaf service, re-configure your firewall or router with your new Bigleaf IP address information.

1. Log in to your firewall or router interface and navigate to the page where you set the WAN or internet IP address information.
2. Input the information for the internet connection as shown in the Configuration Details card that was provided in your Shipment Confirmation email from Bigleaf:

IP address  
Subnet Mask  
Default Gateway/Route  
DNS1  
DNS2

3. Update any firewall policies, such as firewall or NAT rules, to use the new IP address information.
4. Save and apply the new configuration. You may need to reboot the device.

## Test connection and make final updates

The installation is complete. Open a web browser and browse to some pages to make sure everything is connected and working properly.

### To-Do:

If things look good, make any IP-related updates identified in Step 2, such as DNS, Mail Server, or VPN settings based on your new Bigleaf IP addresses.

If you have any issues or questions, contact Bigleaf support for help:

Tech Support: (888) 244-3133

General questions, helpful information, and Chat Support: [Bigleaf Help Center](#)

Email: [Support@bigleaf.net](mailto:Support@bigleaf.net)